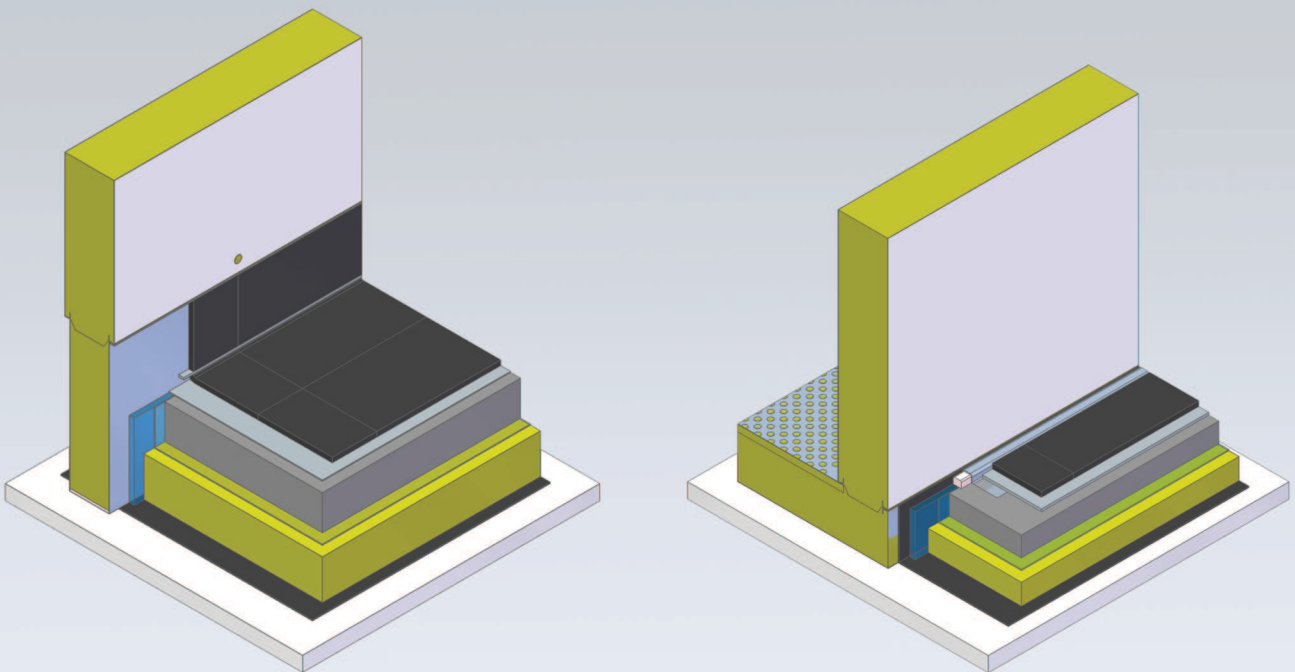


TopInfo

Conventional floor connection to coldrooms and deep-freezing rooms



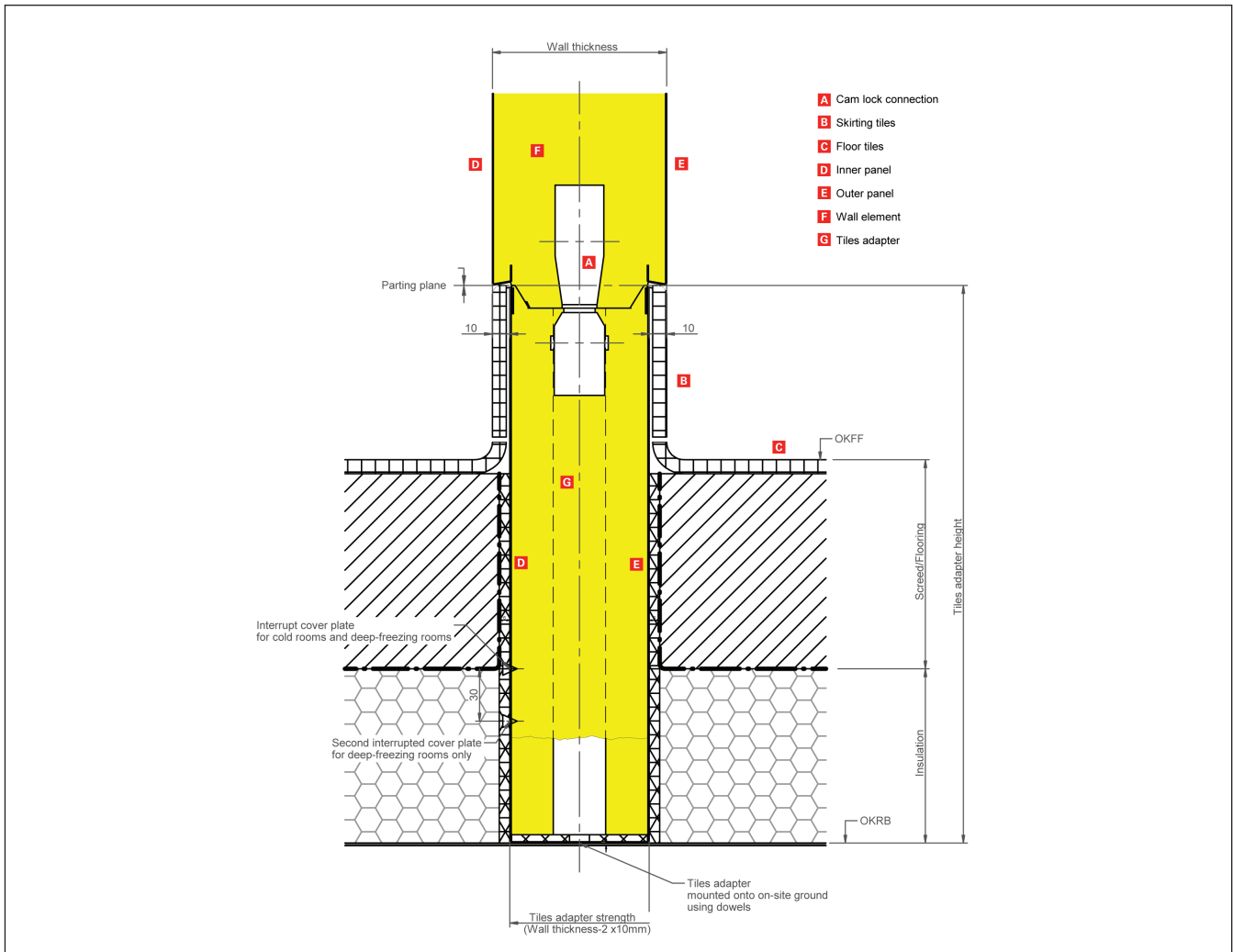
Floor connection with adapter for conventional floor ground in front of and in the coldroom

The floor connection can be made using the adapter in this version following installation. The cold room can then be built using the eccentric cam and the adapter.

Floor connection with connection profile for conventional floor on the coldroom floor

With regard to models with coldroom floors, the conventional floor is connected using a tile connection profile. After the coldroom has been assembled, the profile will be riveted directly to the coldroom floor using butyl tape.

Floor connection with adapter



Key benefits

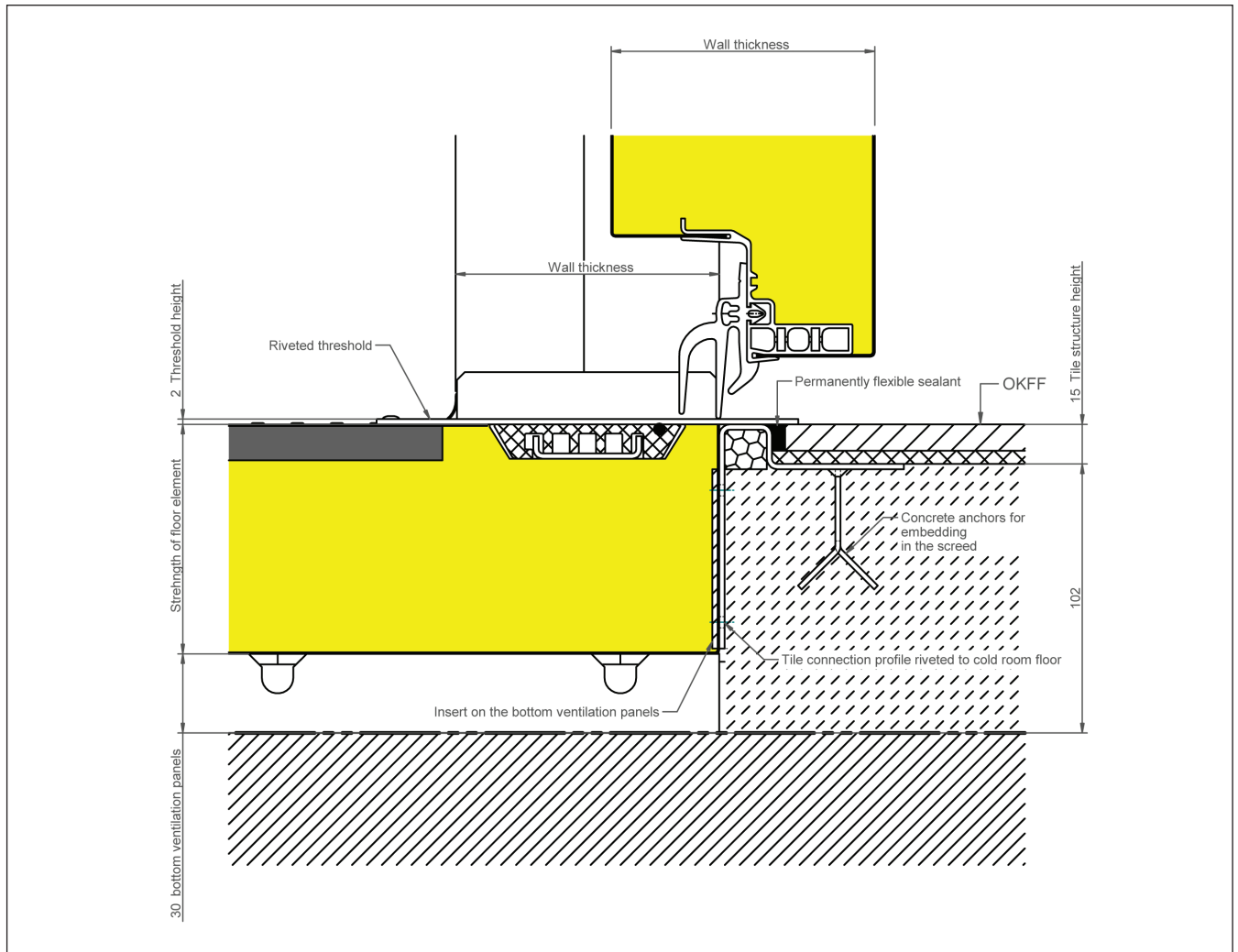
- Individual planning for a variety of applications
- Advance delivery and installation of the adapter are possible in order to install the on-site floor structure
- Quick-mount system for wall mounting with eccentric cam
- Flexible positioning onto on-site floor in Viessmann coldroom intervals
- Perfect, energy efficient insulation thanks to precision engineering manufacturing and sheet metal cover plate interruptions in the area of on-site insulation
- Use for different floor coverings such as tiled floors, coved tiles, epoxy resin floors and many other options
- Direct connection possible without offsetting the coldroom wall
- Usage area for coldroom and deep-freezing rooms possible

Specifications	Tiles adapter
Adapter strength in mm	80 / 100 / 130
Temperature range	-25°C to +60°C
Height in mm	250 mm- 350 mm
Surface	Stainless steel 1.4301
Sizes and dimensions	Order-specific and individual production of the adapter ^{1) 2)}
Adapter/wall connections	Cam lock connection
Adapter corners/length connections	Steel/corners connections

1) Gradation in 100 mm intervals/adaptation to wall system

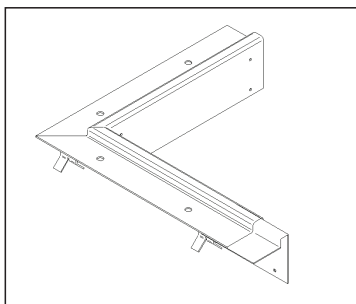
2) Incl. attachment material and assembly instructions for proper on-site assembly

All of the floor structures for conventional floors are shown in this flyer as possible examples. Specialist planners an application-compliant designs should be chosen for individual applications.

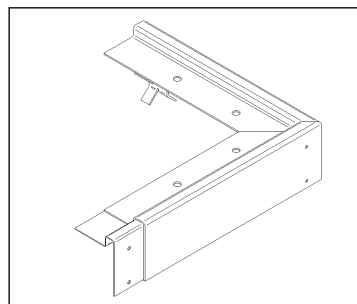


Specifications	Tiles connection profile
Wall thickness in mm	Independent of wall thicknesses
Material/material thickness	Stainless steel 1.4301 / 2 mm
Connection profile/floor connections	Riveted joint/adhesive connection with butyl tape
Sizes and dimensions (H x W)	85 x 70 mm Corners approx. 300 x 300 mm

Incl. attachment material and assembly instructions for proper on-site assembly



Corner connection- Outside corner



Corner connection- Inside corner

Key benefits

- Individual planning for a variety of applications
- Perfect connections thanks to precision engineering based on customer requirements
- Joint-free installation via connecting plate and angle bracket for inside and outside corners
- Special ground anchor or clamping flange for waterproofing membrane possible
- Direct connection to the coldroom floor possible

All of the floor structures for conventional floors are shown in this flyer as possible examples. Specialist planners an application-compliant designs should be chosen for individual applications.



climate of innovation

Germany
Viessmann Khlsysteme GmbH
Telephone +49 9281 814-0
Fax +49 9281 814-269
kuehlsysteme@viessmann.de
www.viessmann.de/kuehlsysteme

Switzerland
Viessmann (Switzerland) AG
Telephone +41 56 418 67 11
Fax +41 56 401 13 91
info@viessmann.ch
www.viessmann.ch/kuehlsysteme

Austria
Viessmann Ges.m.b.H.
Telephone +43 72 42 623 81-100
Fax +43 72 42 623 81-440
info@viessmann.at
www.viessmann.at/kuehlsysteme

Great Britain
Viessmann Cold Technology UK Ltd.
Telephone +44 121 7440 422
Fax +44 121 7440 433
sales@viessmann-coldtech.co.uk
www.viessmann-coldtech.co.uk

France
Viessmann Technique du Froid SAS
Telephone +33 3 87291700
Fax +33 3 87941655
france@viessmann-refrigeration.com
www.viessmann-refrigeration.com

Poland
Viessmann Group – Norpe Polska SPz. o.o
Telephone +48 22 882 0020
Fax +48 22 882 00 19
norpe@norpe.pl
www.norpe.pl

Russia
Viessmann Group – Norpe Moscow
Norpe St. Petersburg
Telephone +7 499 277 1260
www.norpe.com.ru

United Arab Emirates
Viessmann Middle East FZE
Telephone +971 43724247
Fax +971 43724241
refrigeration@viessmann.ae
www.viessmann.ae/refrigeration

Your specialist partner:

GB 02/2016

The contents of this document are copyright protected.
Copies and other usage are subject to prior consent.
Subject to modifications.